

Reliable power distribution

varied



flexible

Custom made solutions

## Power columns made from aluminium

---

### The product from the house of GIFAS

Made from high quality, anodised aluminium

⇒ weather-proof, impact-proof and corrosion-resistant

⇒ The latest solution for:

- Gated entrances
  - Parks
  - Gardens
  - Banks
  - Offices
  - Medical practices
  - Administrative buildings
  - Entrance halls
  - Living spaces
  - Industrial sites
  - Swimming baths
  - Conservatories
  - Railway stations
  - Airports
- etc.



**Ideal for all applications!**

## Power columns made from aluminium

---



### ⇒ Aluminium – Material of the future

These days, it's not just pure functionality that counts – increasing value is being placed on the design of the electrical engineering systems being used, especially in office buildings, but also in production halls and workshops, such as in the automobile industry or in machine engineering.

### ⇒ Aluminium offers both advantages:

#### ***Functionality and attractive design!***

The high level of resistance to all external influences, the low weight and the high degree of flexibility in usage are additional advantages. The easily positioned power columns guarantee problem-free, safe and elegant supply of power and data technology to the workplace, whether from the ceiling or the floor.

### ⇒ Aluminium power columns:

#### ***manufactured to customer specifications!***

The new aluminium range features all the strengths of other GIFAS products: Tailor-made manufacturing.

- The closed aluminium profiles provide protection against water and humidity.
- All parts, including accessories, have an extremely robust design.
- The profile cover is compressed at the top, or screwed and screwed on underneath, and sealed for exterior usage using a rubber seal. This guarantees maximum quality and reliability.
- The column height can be manufactured flexibly up to a height of three or six metres, depending the requirements and specifications of the customer.
- The easy-care surface resists dirt.
- Protection ratings: for exterior applications IP54 (with relevant built-in units), for interior applications IP20.

## Aluminium power columns GAS 100

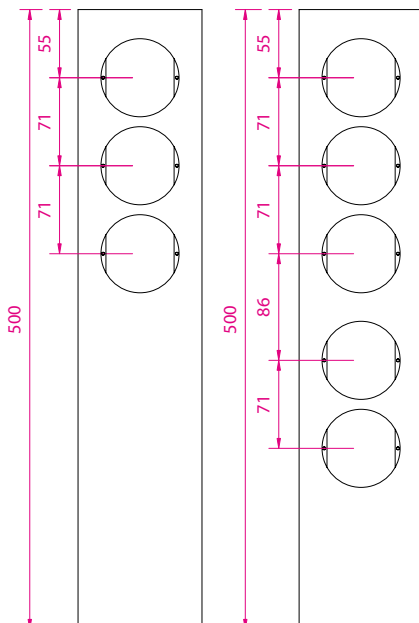
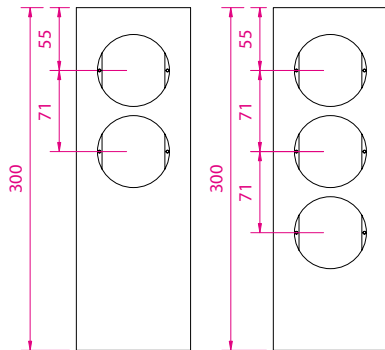
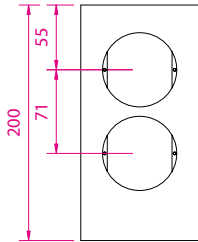
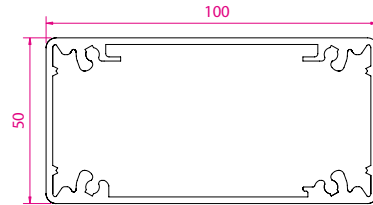
---



### ⇒ Features

- The small power column GAS 100 permits the installation of all standard ranges and allows for different hole patterns for a high degree of flexibility and the use of multiple or single frames.
- Ceiling connector columns up to a height of 6 m can be drilled and fitted according to customer requirements.
- The column is suitable for both interior use and outdoor applications.
- For ceramic and tiles cleaned using water, a design with protection rating IP54 is available.
- The attractive design is especially popular in offices. There is also the option to integrate data and telephone combinations.
- In workshops and production halls, this aluminium column is the ideal situation for power supply, especially with the options for integrating low-voltage combinations and data processing modules, as well as command and messaging units, etc.
- For outdoor applications, the aluminium column offers the best combination of features thanks to the lack of corrosion and extremely high resistance.
- Option: Terminal strip as shown in illustration

## Aluminium power columns GAS 100



### ⇒ Components included

- Alu columns
- Floor and cover plates
- Fixing screws for the standard range of machines
- Fixing screws for the base plate, incl. dowels

### ⇒ Examples from the GAS 100 range

Height	Protection rating	Drill holes	Item designation*
200	IP20	1	GAS100-2-0200-A1
200	IP54	1	GAS100-5-0200-A1
300	IP20	2	GAS100-2-0300-A2
300	IP54	2	GAS100-5-0300-A2
300	IP20	3	GAS100-2-0300-A3
300	IP54	3	GAS100-5-0300-A3
500	IP20	1	GAS100-2-0500-A1
500	IP54	1	GAS100-5-0500-A1
500	IP20	2	GAS100-2-0500-A2
500	IP54	2	GAS100-5-0500-A2
500	IP20	3	GAS100-2-0500-A3
500	IP54	3	GAS100-5-0500-A3
500	IP20	4	GAS100-2-0500-A4
500	IP54	4	GAS100-5-0500-A4
500	IP20	5	GAS100-2-0500-A5
500	IP54	5	GAS100-5-0500-A5

\*Item code:



Profiltyp	Schutzart	Profilhöhe (bis 6 m)	Bohrungen Seite A
-----------	-----------	----------------------	-------------------

Let us know what your requirements are! We will be happy to advise you!

## Aluminium power columns GAS 100

### ⇒ Technical data

#### • Material:

- Anodised aluminium
- Fixing materials, V2A

#### • Protection rating:

- IP20 = no protection against humidity
- IP54 = splash-proof  
(with the relevant built-in units)

#### • Dimensions:

- 100 x 50 mm closed aluminium profile
- Length according to customer requirements (up to 6 m)

#### • Fittings:

- for one-sided fitting with all standard unit ranges

#### • Colour:

- silver-anodised
- other RAL colours on request

#### • Terminal strip with tension spring technology:

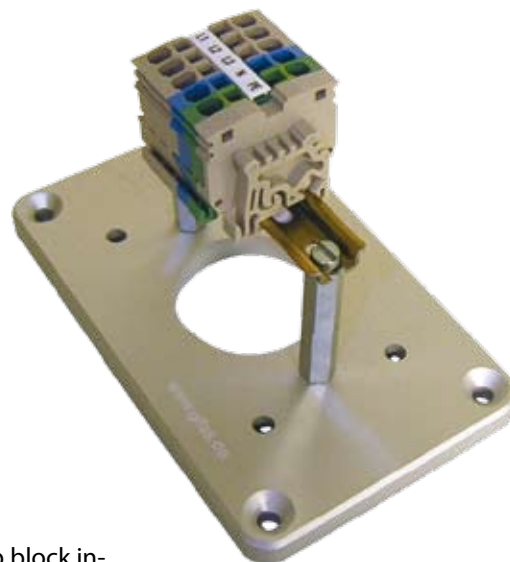
- 4 mm<sup>2</sup>
- 5-pole, L1, L2, L3, N, PE
- Mounted onto bearing rail system TS15
- Bearing rails fitted onto spacer bolts

#### • Includes base plate:

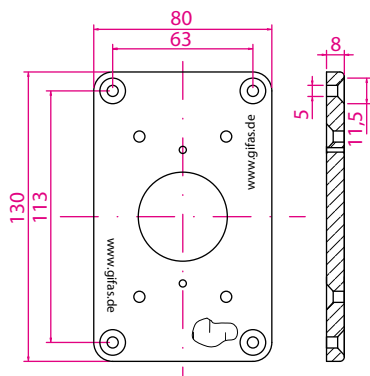
- 4 fixing screws DIN 7991.M5.35.VA
- 4 brass dowels



Aluminium cover



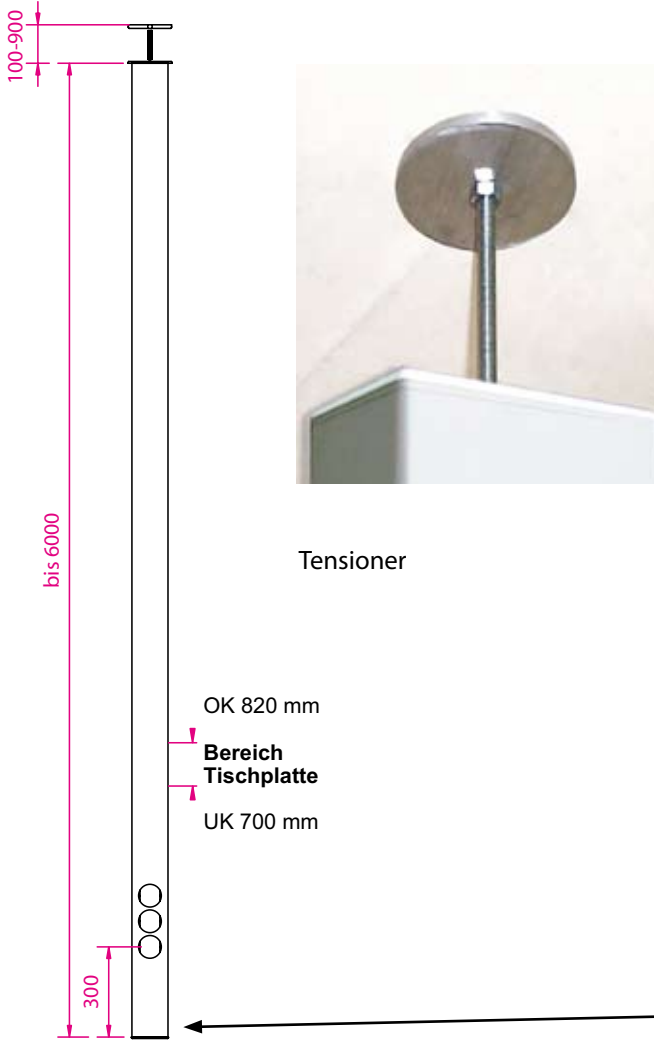
Terminal strip block integrated into base plate



Base plate, fixing screws and brass dowels

# Aluminium power column GAS 100

## ⇒ Ceiling connection column

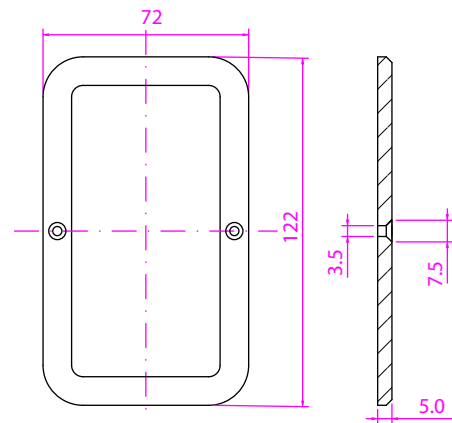


Tensioner

• **Tensioner consisting of:**

- Aluminium plate
- Threaded bolt, M12
- Nuts and U-washers

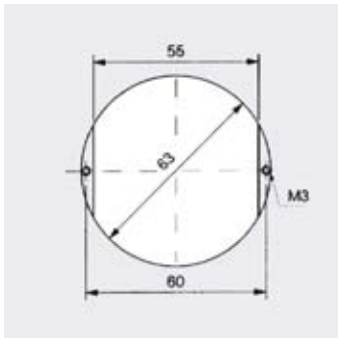
Sleeve for double ceilings and double floors



• **Base plate is not screw-jointed:**

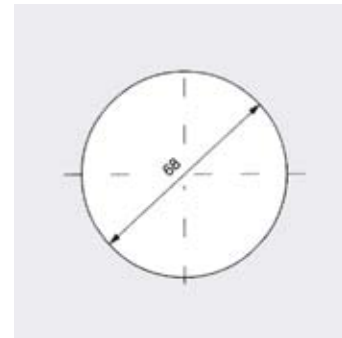
No risk to underfloor heating, for example

## ⇒ Hole patterns for power columns GAS 100



• **Hole pattern 1:**

- Standard units 10/16 A, 230 V
- Communications technology (TAE socket)



• **Hole pattern 2:**

- Standard units 10/16 A, 230 V (hollow wall socket)

## Aluminium power columns GAS 160

---

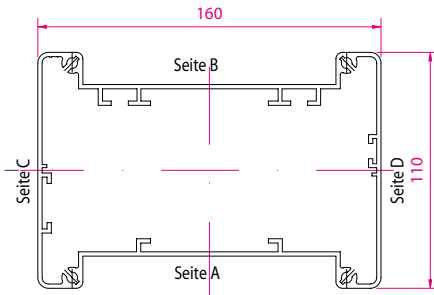


### ⇒ Features

- The GAS 160 power column is a versatile aluminium column in an especially robust design. The column can be individually fitted on all four sides.
- Ceiling connector columns up to a height of 6 m can be drilled and fitted according to customer requirements.
- The columns are normally fitted with base plate and terminal block up to 16 mm<sup>2</sup>.
- A special option is the ceiling connection version made from closed aluminium profile for vertical connection technology. It permits power supply from the ceiling or from the floor. The profile guarantees a high degree of stability and protects the built-in components at the same time.
- The column is suitable for interior use, and with protection rating IP54 is also suitable for outdoor applications.
- A divider plate is inserted for dividing different power circuits.
- In workshops and production halls, this aluminium column is the ideal situation for power supply, especially with the connection options for compressed air, the option for integrating low-voltage combinations and data processing modules, as well as command and messaging units, CEE add-on sockets up to 63 A, etc.
- The appealing design is also popular in offices as there is also the option to integrate data and telephone combinations.
- For outdoor applications, the aluminium column offers the best combination of features thanks to the lack of corrosion and extremely high resistance to environmental influences.



# Aluminium power columns GAS 160

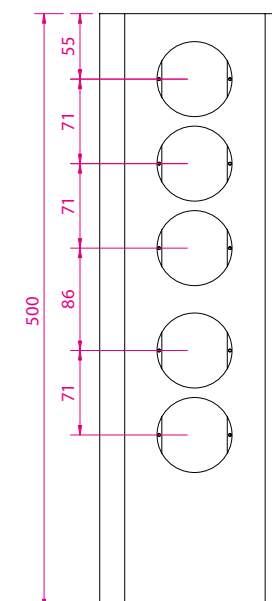
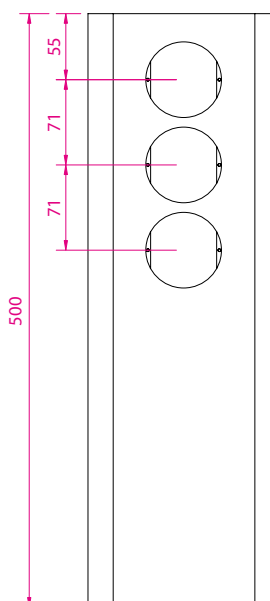
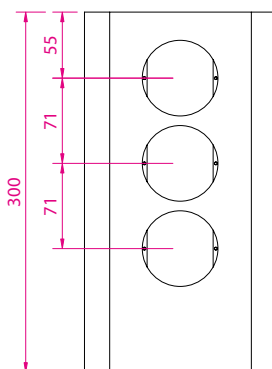
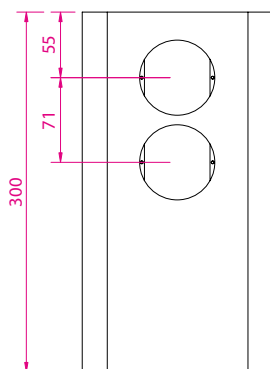
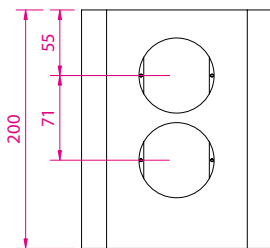


## ⇒ Components included

- Alu columns
- Floor and cover plates
- Terminal strip block up to 16 mm<sup>2</sup>
- Fixing screws for the standard range of machines
- Fixing screws for the base plate, incl. dowels
- Fitted where appropriate (CEE built-in sockets, fuses, etc.)

## ⇒ Examples from the GAS 160 range

Height	Pro-tection rating	Drill holes		Item designation*
		Side A /	side B	
200	IP20	2		GAS160-2-0200-A2
200	IP54	2		GAS160-5-0200-A2
200	IP20	2	2	GAS160-2-0200-A2/B2
200	IP54	2	2	GAS160-5-0200-A2/B2
300	IP20	2		GAS160-2-0300-A2
300	IP54	2		GAS160-5-0300-A2
300	IP20	2	2	GAS160-2-0300-A2/B2
300	IP54	2	2	GAS160-5-0300-A2/B2
300	IP20	3		GAS160-2-0300-A3
300	IP54	3		GAS160-5-0300-A3
300	IP20	3	3	GAS160-2-0300-A3/B3
300	IP54	3	3	GAS160-5-0300-A3/B3
500	IP20	3		GAS160-2-0500-A3
500	IP54	3		GAS160-5-0500-A3
500	IP20	3	3	GAS160-2-0500-A3/B3
500	IP54	3	3	GAS160-5-0500-A3/B3
500	IP20	5		GAS160-2-0500-A5
500	IP54	5		GAS160-5-0500-A5
500	IP20	5	5	GAS160-2-0500-A5/B5
500	IP54	5	5	GAS160-5-0500-A5/B5



\*Item code:

Profile type	Protection rating	Profile height (up to 6 m)	Drill holes Side A	Drill holes Side B
--------------	-------------------	----------------------------	--------------------	--------------------

Let us know what your requirements are! We will be happy to advise you!

## Aluminium power columns GAS 160

### ⇒ Technical data

#### • Material:

- Anodised aluminium
- Fixing materials, V2A

#### • Protection rating:

- IP20 = no protection against humidity
- IP54 = splash-proof  
(with the relevant built-in units)

#### • Dimensions:

- 160 x 110 mm closed aluminium profile
- Length according to customer requirements  
(up to 6 m)



#### • Fittings:

Can be fitted with components on all four sides, according to customer requirements

- for two-sided fitting with all standard unit ranges (sides A and B)
- for two-sided fitting with all CEE built-in plug connectors (sides A and B)
- Fuses: Line protective switch and residual current protective switch (side A)
- Compressed air connection, 1/4 inch, up to two one-hand rapid couplings (side C)

#### • Colour:

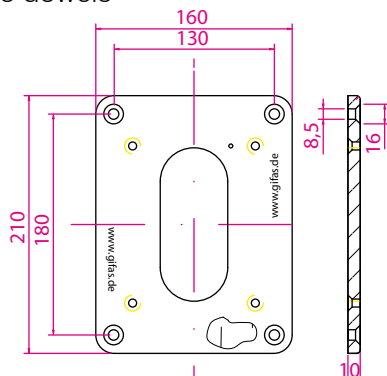
- silver-anodised
- other RAL colours on request

#### • Terminal strips:

- up to 16 mm<sup>2</sup>
- 5-pole, L1,L2,L3,N,PE
- Mounted onto bearing rail system

#### • Includes base plate:

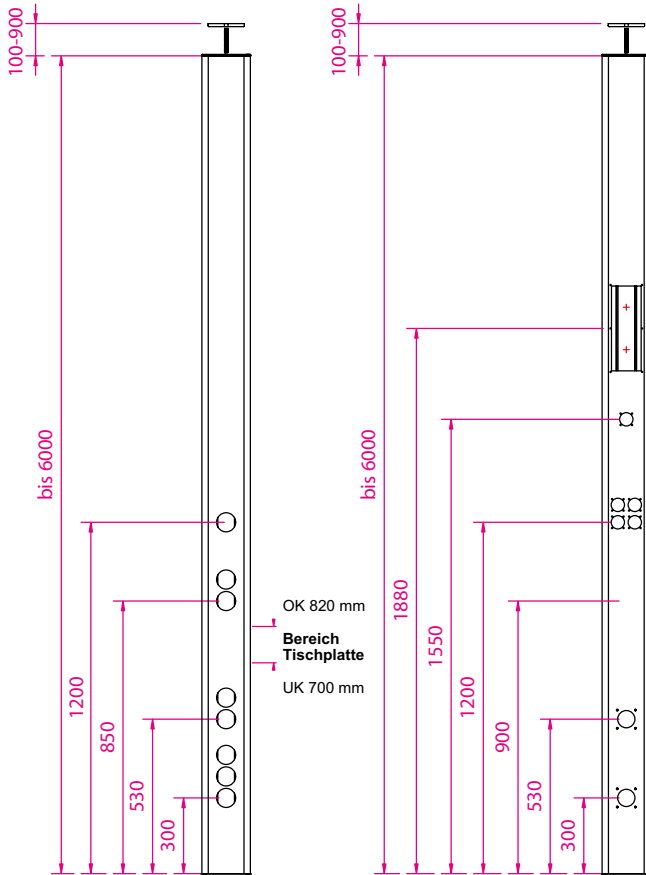
- 4 fixing screws DIN 7991.M8.40.VA
- 4 brass dowels



Base plate, fixing screws and brass dowels

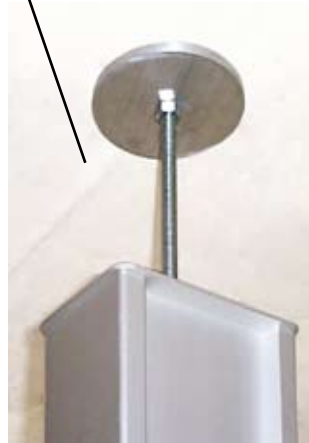
# Aluminium power column GAS 160

## ⇒ Ceiling connection column



• **Tensioner consisting of:**

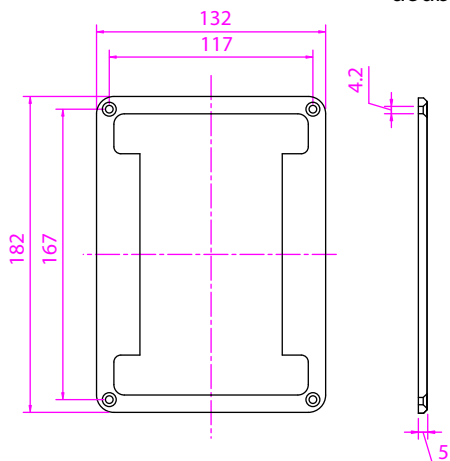
- Aluminium plate
- Threaded bolt, M12
- Nuts and U-washers



• **Base plate is not screw-jointed:**

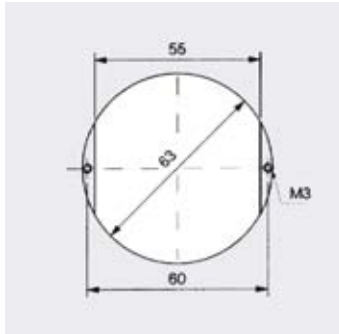
No risk to underfloor heating, for example

Sleeve for double ceilings and double floors



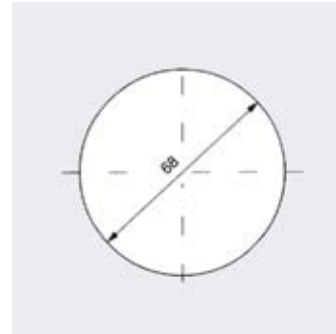
## Aluminium power columns GAS 160

⇒ Hole patterns for power columns GAS 160



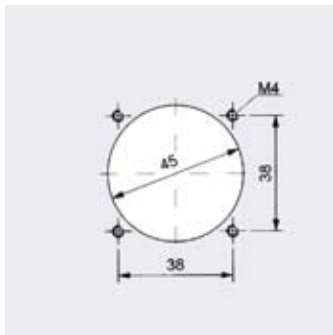
• **Hole pattern 1:**

- Standard units 10/16 A, 230 V
- Communications technology (TAE socket)



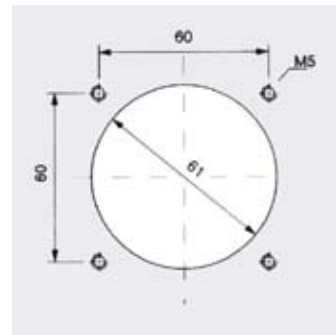
• **Hole pattern 2:**

- Standard units 10/16 A, 230 V (hollow wall socket)



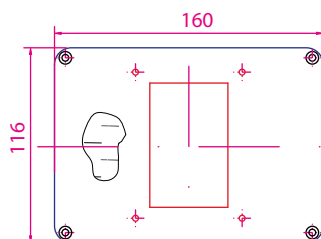
• **Hole pattern 3:**

- Safety contact socket with folding cover



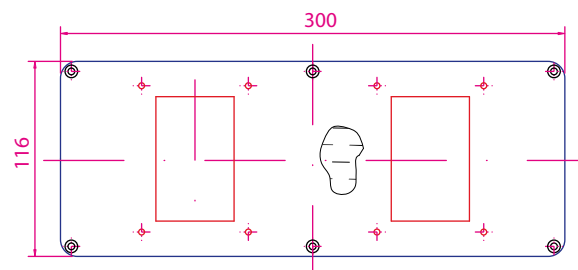
• **Hole pattern 4:**

- CEE built-in socket 5x16 A, 400 V
- CEE built-in socket 5x32 A, 400 V



• **Hole pattern 5:**

- Cover for transparent safety panel 4TE



• **Hole pattern 6:**

- Cover for transparent safety panel 8TE

## Aluminium power columns GAS 160

⇒ Customised solutions

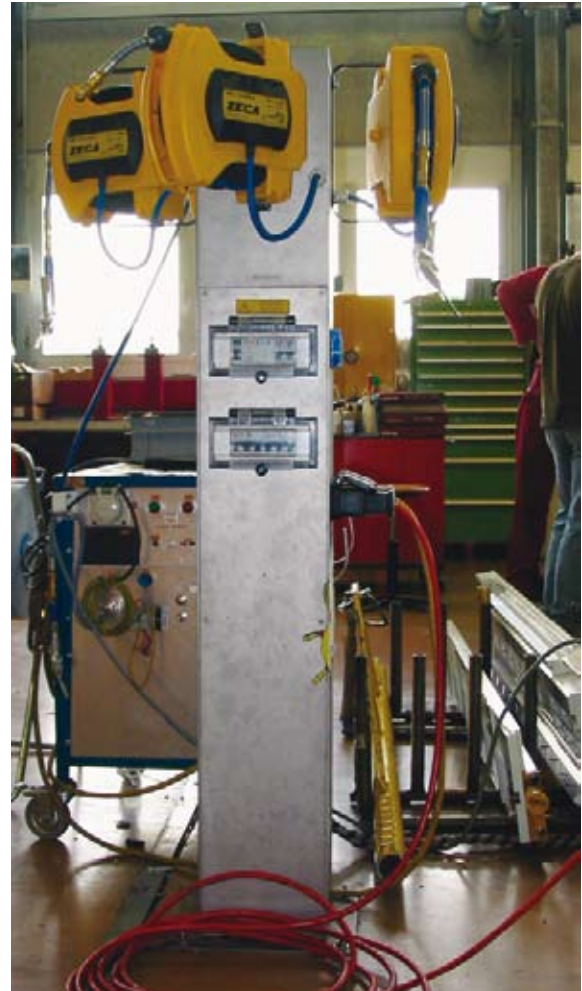


1/2-inch compressed air connection



## Other power columns from GIFAS

⇒ Power columns with air and socket connections – ready for use at all times



- Rust-free stainless steel V2A in solid design with maximum mechanical load capacity
- Large base flange plate for simple and stable floor assembly
- Can be individually fitted according to customer requirements
- FI protection with fuse integrated into the column and also protected by plexiglass panels
- Pull cable rollers for compressed air fitted on all four sides (load capacity up to 12 bar)
- Compact, closed design – increased safety level!

## Other power columns from GIFAS

⇒ Power bollards for permanent assembly in 2 different sizes



### Technical data:

- D = 150, 200 mm or 300 mm, H = 1200 mm
- V2A stainless steel design, powder-coated
- Power supply integrated into the bollard
- Door can be locked using a cylinder lock

### Applications:

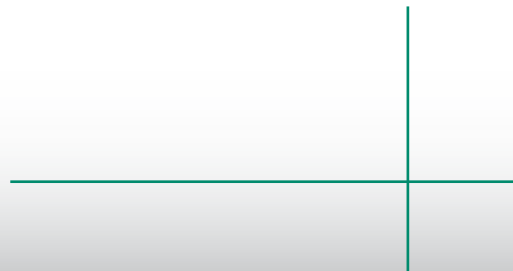
Village and town squares, marketplaces, festival grounds, pedestrian zones, internal yards, gardens and parks, car parks, yacht harbours.

Also useful as protection against through-traffic and foot traffic to provide safe and problem-free power supply.

- Power uptake when closed via cable exit flap underneath the door
- Distributor casing made from vulcanised, self-extinguishing butyl rubber
- Component distributor fitting according to customer requirements, technical conditions and regulations
- Fuse materials mounted under impact-proof Macro-lon cover
- High level of operational safety and protection against unauthorised access and vandalism



# Contact us



We look forward to become acquainted with you personally!

Custom made solutions

**GIFAS W.J. Gröninger ELECTRIC GmbH**  
Borsigstrasse 9 • D-41469 Neuss  
Postfach 21 03 63 • D-41429 Neuss  
Phone 02137 105-0 • Fax 02137 105-230  
<http://www.gifas.de> • [verkauf@gifas.de](mailto:verkauf@gifas.de)

